

DCG120-12 | Volvo TAD-582-VE (160 kW) EU5 / T4F + ZF 3WG-171 (3+3) | Duplex, clear view, standard - LH 5000
Lifting data
DCG120-12

Lifting capacity, rated (kg)	12000
Lifting speed L4, unloaded – at 70% of rated load (m/s)	0,40 - 0,35
Lowering speed L4, unloaded – at rated load (m/s)	0,30 - 0,40

Driving data

Travelling speed forward, unloaded – at rated load (km/h)	30 - 28
Travelling speed backward, unloaded – at rated load (km/h)	30 - 28
Gradeability max., unloaded – at rated load (%)	74 - 40
Gradeability at 2 km/h, unloaded – at rated load (%)	56 - 32
Drawbar pull, max. (kN)	119

Weight of truck

Service weight (kg)	20300
Axle load front, unloaded – at rated load (kg)	10700 - 30200
Axle load rear, unloaded – at rated load (kg)	9600 - 2100

Engine

Manufacturer / model	Volvo / TAD-582-VE
Fuel / type of engine	Diesel / 4 stroke
Emission stage / approval	EU Stage V
Number of cylinders / displacement (liter)	4 / 5,100
Power rated @ revs, ISO 3046 (kW@rpm)	160 / 1700 - 2300
Torque max @ revs, ISO 3046 (Nm@rpm)	900 / 1200 - 1700
Alternator, type - power (W)	AC - 3080 (28V x 110A)
Starting battery, voltage - capacity (V – Ah)	2x12 - 145
Fuel consumption, normal driving (l/h)	7 - 9
DEF consumption, normal driving (% of diesel)	4 - 6

Transmission

Manufacturer / model	ZF / 3WG-171
Clutch, type	Torque converter
Gearbox, type	Hydrodynamic Powershift
Number of gears, forward - reverse	3 - 3
Driving axle, manufacturer / type	Kessler D81 / Differential and hub reduction

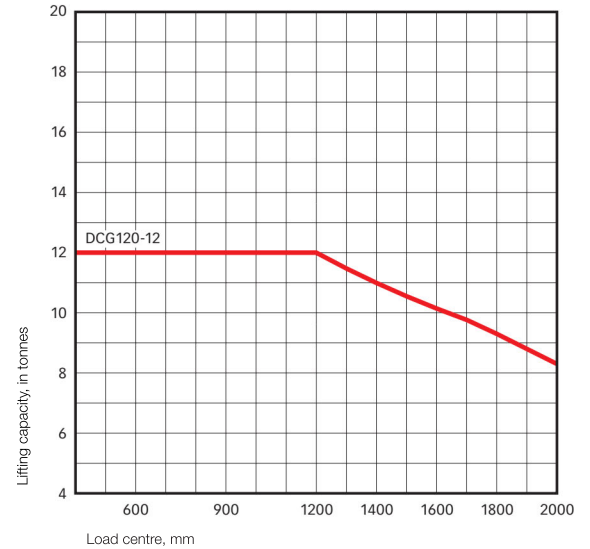
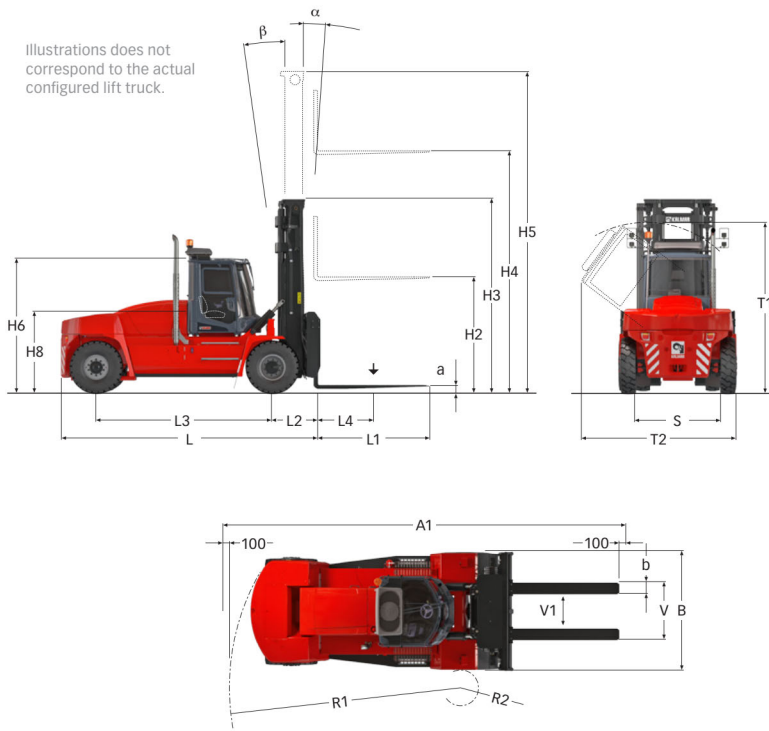
Wheels

Type	Pneumatic
Dimension, front – rear (inch)	12.00x20/20PR
Number of wheels, front – rear (*driven)	4* - 2
Pressure (MPa)	0,9

Miscellaneous

Steering system, type – maneuvering	Hydraulic servo - Steering wheel
Service brake system, type – affected wheels	Oil cooled disc brakes (Wet disc brakes) - Drive wheel
Parking brake system, type – affected wheels	Dry, spring activated disc brakes - Drive wheel
Max. hydraulic pressure (MPa)	15,0
Noise level EN12053 with ECO modes - equivalent inside cabin LpAZ (dB(A))	71
Noise level EN12053 with ECO-modes - equivalent outside cabin LwAZ (dB(A))	109
AdBlue volume (l)	15
Hydraulic oil volume (l)	220

Illustrations does not correspond to the actual configured lift truck.



DCG90-6 to DCG180-6 models:
Full lifting capacity up to 5000 mm lift height with duplex/duplex freelift/triplex masts and integrated sideshift/fork positioning carriage.

Dimensions

Length of truck (mm)	L	5315
Width of truck (mm)	B	2540
Height of basic machine (mm)	H6	2920
Height of seat (mm)	H8	1770
Wheelbase (mm)	L3	3500
Load centre (mm)	L4	1200
Track (c-c), front – rear (mm)	S	1855 - 1960
Turning radius, outer – inner (mm)	R1-R2	4785 - 420
Ground clearance, min. (mm)		350
Max. height when tilting cab (mm)	T1	3395
Max. width when tilting cab (mm)	T2	3380
Min. aisle for 90° stacking with forks (mm)	A1	8370
Lifting height (mm)	H4	5000
Mast height, min. (mm)	H3	4195
Mast height, max. (mm)	H5	6695
Tilting of mast, forward - backward (°)	α - β	5 - 10
Fork width (mm)	b	220
Fork thickness (mm)	a	90
Length of forkarm (mm)	l	2400
Width across fork arms, max. - min. (mm)	V	2360 - 640
Sideshift \pm at width of across fork arms (mm)	V1-V	430 - 1500

The design and materials specification are subject to alternation without prior notice.
Tolerances according to K-standard 95430.0008/0009

Kalmar offers the widest range of cargo handling solutions and services to ports, terminals, distribution centres and to heavy industry. Kalmar is the industry forerunner in terminal automation and in energy efficient container handling, with one in four container movements around the globe being handled by a Kalmar solution. Through its extensive product portfolio, global service network and ability to enable a seamless integration of different terminal processes, Kalmar improves the efficiency of every move. www.kalmarglobal.com

Kalmar is part of Cargotec. Cargotec's sales in 2018 totalled approximately EUR 3.3 billion and it employs around 12.000 people. www.cargotec.com



Cargotec Sweden AB
Movägen 1
SE-341 32, Ljungby, Sweden
tel. +46 372 260 00
www.kalmarglobal.com